



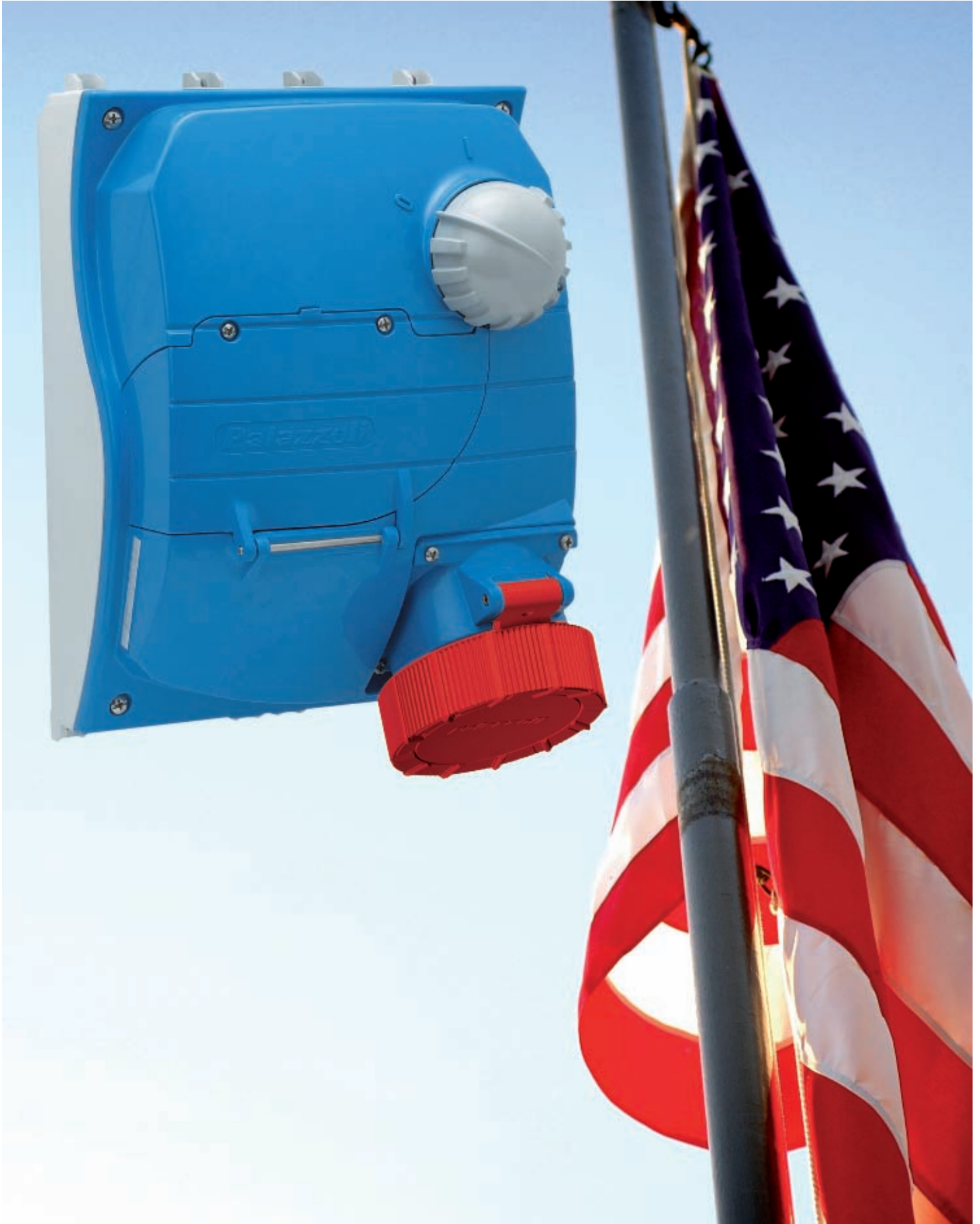
**ELECTRICAL INDUSTRIES**



2011 general catalogue 2012

**FPB Palazzoli**

# NORTH AMERICAN RANGE



## ***NORTH AMERICAN RANGE***

- This comprehensive range of products has been specifically formulated for the North American market
- Products are listed by Underwriters Laboratories UL, approved by the Canadian Standards Authority CSA, & meet the requirements of the National Electrical Code NEC
- The range covers ratings from 20 to 100A & operating voltages up to 600VAC / 250VDC
- These items are not interchangeable with their IEC60309 counterparts

# NORTH AMERICAN RANGE

## NORTH AMERICAN RANGE

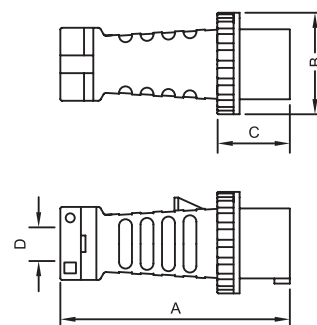
<b>Conformity to Standards:</b>	CEI EN 60309-1	IEC 60309-1	<b>Cable entry</b>	16A	2P+E	min: 8	max: 13	mm
	CEI EN 60309-2	IEC 60309-2		32A	2P+E	min: 8.5	max: 14	mm
	CEI EN 60529	IEC 60529			3P+N+E	min: 10	max: 15.5	mm
<b>Impact resistance:</b>	>IK 08		<b>Connecting sections of the wires</b>	16A	2P+E	min: 11.5	max: 17.5	mm
<b>Glow wire test:</b>	850°C insert			32A	3P+E	min: 12.5	max: 19.5	mm
<b>Self extinguishing:</b>	V2				3P+N+E	min: 14	max: 21.5	mm
<b>Temperature resistance:</b>	Operating	-25 to +50°C		16A		min: 1	max: 2.5	mm <sup>2</sup>
	Storage	-30 to +70°C		32A		min: 2.5	max: 6	mm <sup>2</sup>

IP44 Splashproof



A	V	
60	480	4P-5W
PM560P7W		

## PLUG



D= MAX CABLE DIAMETER

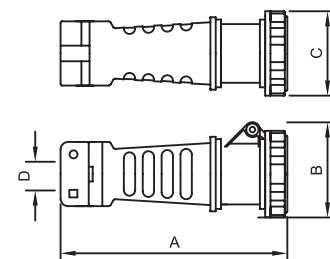
Rated current (A)	Poles	A (mm)	B (mm)	C (mm)	D (mm)
63	2P+E	238	110	75	31.5
	3P+E	238	110	75	31.5
	3P+N+E	238	110	75	31.5
125	2P+E	315	119	88	45
	3P+E	315	119	88	45
	3P+N+E	315	119	88	45

IP44 Splashproof



A	V	
60	480	4P-5W
PM560C7W		

## CONNECTOR



D= MAX CABLE DIAMETER

Rated current (A)	Poles	A (mm)	B (mm)	C (mm)	D (mm)
63	2P+E	255	113	110	31.5
	3P+E	255	113	110	31.5
	3P+N+E	255	113	110	31.5
125	2P+E	350	128	119	45
	3P+E	350	128	119	45
	3P+N+E	350	128	119	45

# NORTH AMERICAN RANGE

Also in the range:

Plugs



Connectors



Appliance Inlets



Interlocks



Receptacles



**FOR FULL RANGE PLEASE CONTACT LEWDEN SALES**



Dealer's stamp



Argall Avenue, London E10 7QD - United Kingdom

**UK Sales**  
Tel: +44 (0)20 8539 0237  
Fax: +44 (0)20 8558 2718  
e-mail: [sales@lewden.co.uk](mailto:sales@lewden.co.uk)

**Export Sales**  
Tel: +44 (0)20 8988 7787  
Fax: +44 (0)20 8558 2001  
web: [www.lewden.com](http://www.lewden.com)